

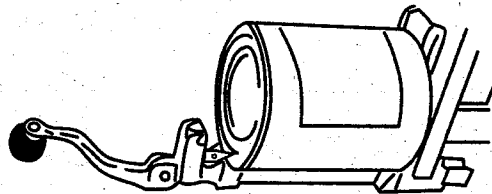
DIRECTIONS FOR

CAN OPENER

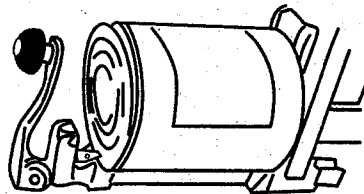
一、INTRODUCTION OF PRODUCT

Can Opener include two specifications-No.1 and NO.2,They are used for opening all kinds of iron cans, convenient to operate.It's an ideal utensil for hotels and restaurants,so it sell well in Europe,America and other foreign countries.

二、DIRECTIONS FOR USING



1. When using the Can Opener at first time, fix the base on the table or bench with base screws. then put can on metal base. With handle in upright position, you'll find a slot between the knife and the body, put the body down to the square hole of the base, rightly making the knife puncture the top of can.

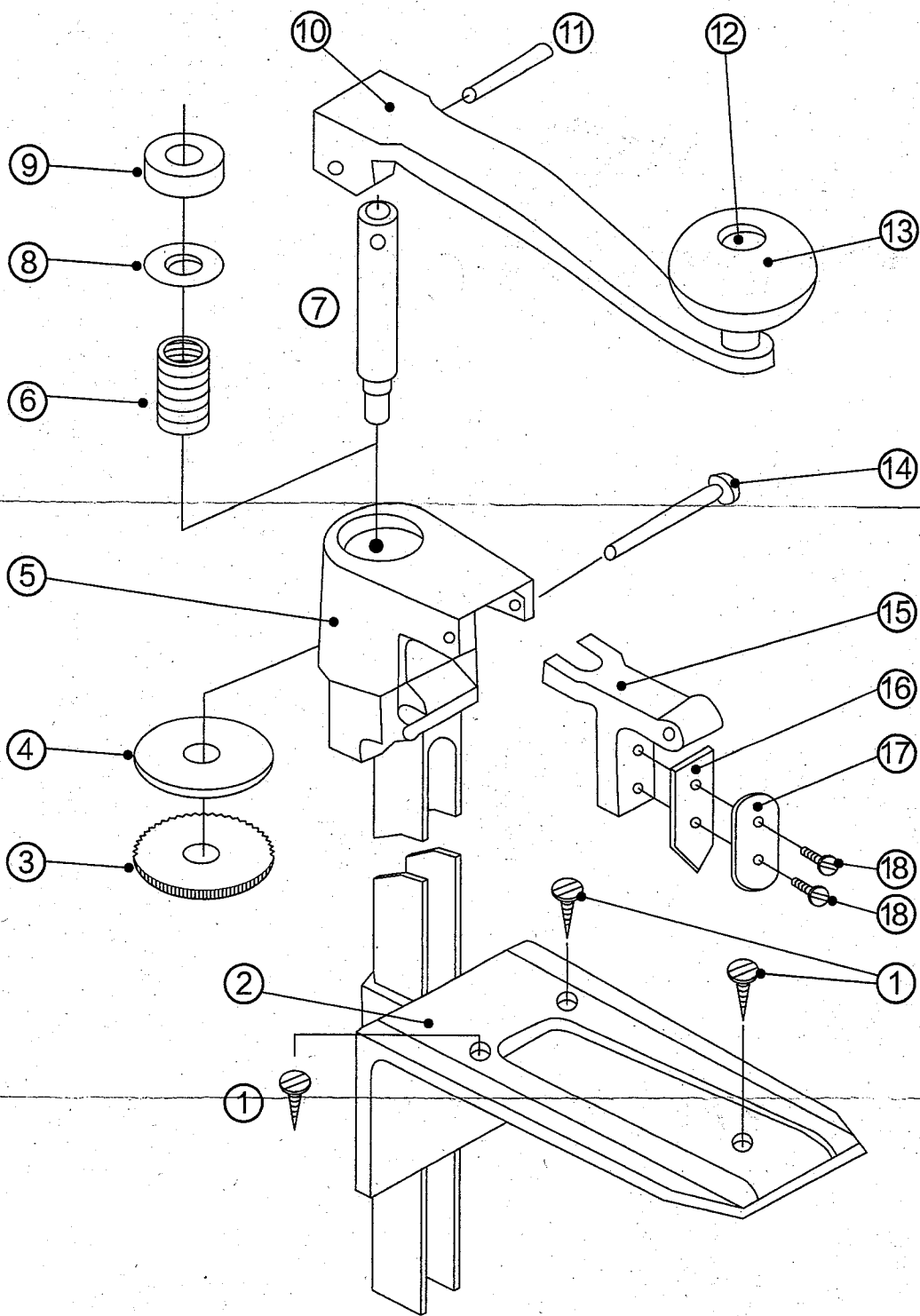


2. Bring handle to horizontal position and turn handle to right. Can automatically turns around until top of can is smoothly cut out. As top of can raises, lift it out to prevent falling into the cans contents.

3. Lift hands to upright position. Lift up handle and bar and remove opened can.

三、NOTE

1. After using it, Lay it aside with the handle to horizontal position, so as to loosen the spring, lengthen the service life of it.
2. Often used, knife and gear may be worn for customer's convenience, we prepared completed set of parts, please order according to your need.



- | | | | | |
|------------------|-----------------|---------------|--------------------|-------------------|
| ① Screw for Base | ⑤ Body | ⑨ Bushing | ⑬ Knob | ⑰ Knife Spacer |
| ② Base | ⑥ Spring | ⑩ Handle | ⑭ Knife Holder Pin | ⑱ Screw for Knife |
| ③ Gear | ⑦ Arbor | ⑪ Handle Pin | ⑮ Knife Holder | |
| ④ Gear Spear | ⑧ Spring Washer | ⑫ Knob Privet | ⑯ Knife | |